

MEDISTEEL

Trapezoidal towel ring



AI0115C
Bright finish



AI0115CS
Satin finish

General Description

- Trapezoidal towel ring, bright or satin finish and made in stainless steel AISI 304, for wall mounting.
- The stainless steel AISI 304 construction protects the product against rust and ensures quality and longevity.
- Model suitable for the hotel sector and for collectivities.
- Concealed screws design.

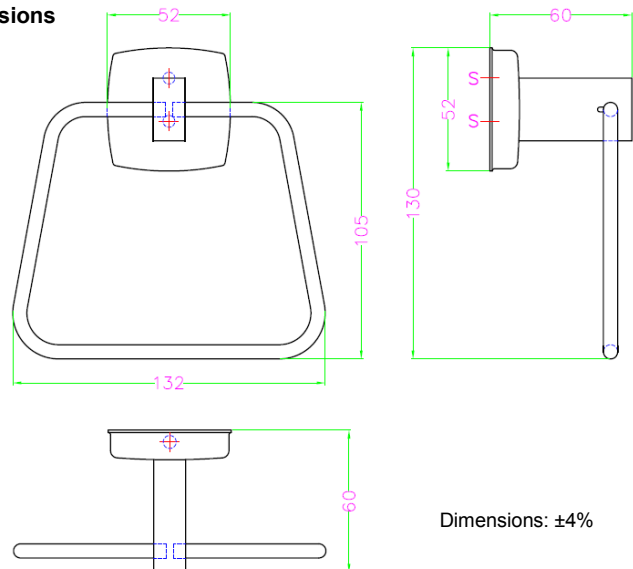
Components & materials

- **AI0115C:** AISI 304 stainless steel, bright finish.
- **AI0115CS:** AISI 304 stainless steel, satin finish.
- **FLANGE AND POST:** made in stainless steel AISI 304, 0.8 mm thick. The flange has a concealed 1.6 mm stainless steel mounting bracket. All-welded construction. A stainless steel lock screw, at the bottom perimeter of flange, is used to lock the unit to the wall mounting plate. The mounting plate is secured to wall with two provided stainless steel screws.
- **RING:** made in stainless steel AISI 304, 0.8 mm thick.
- Screws and plugs for installation to the wall are provided.

Technical Specifications

General dimensions	132x132x60 mm
Towel bar diameter	Ø 19 mm
Flange and support arm thickness	0.8 mm
Wall plate thickness	1.6 mm

Dimensions



MOUNTING

Fix the wall mounting plates on the wall using the provided screws through the mounting plate holes (points indicated by an "S" in the upper figure).

Hang post and flange assembly on mounting plate and tighten the lock screw to lock unit to plate.

